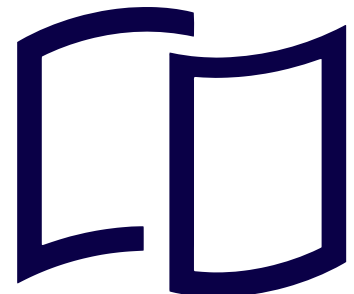


SPLASH GUARD INSTALLATION GUIDE

Layout 4,5 & 6

This guide provides you with tips and step-by-step instructions on how to install your Glass & Mirror splash guard shower partition.

Customer support:
support@glassandmirror.ca
1-888-225-4392



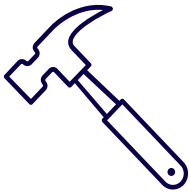
GLASS & MIRROR

BEFORE YOU BEGIN

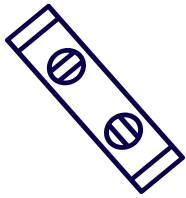
- 1 Examine all packages for shipping damage and validate your piece count with packing list for your model in this manual as a reference. If your package is damaged or parts are missing, please contact Glass & Mirror's customer support within 3 business days from delivery.
- 2 Make sure to comply with your local building codes regarding compliance with applicable building and plumbing code. Glass & Mirror is not responsible for code compliance and will not accept any returns in this regard.
- 3 Any plumbing or drainage work should be executed before installation of the unit. Use a qualified and licensed plumber where required by local code for any plumbing work.
- 4 Make sure all surfaces are sound to support the weight of the unit prior to the installation.
- 5 Protect the glass during installation and never lay the glass down directly on a ceramic tile floor. Use a piece of wood or cardboard to protect the edges and corners during the installation.
- 6 The installation of this shower unit **does not** require that you drill down into the shower base or floor.
- 7 Stationary glass panel sizes are nominal dimensions that refer to the overall size of the panel once installed and not the actual glass size.
- 8 The vertical (wall) U-channel will provide up to 1/2" of out-of-plumb adjustment. Do not exceed this tolerance.
- 9 The safety of any installation is the responsibility of the installer. Professional installation and/or supervision is recommended.
- 10 To prevent serious injury, do not lean against the installed panel glass and handle the glass panel with care.

THE TOOLS YOU'LL NEED

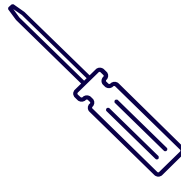
Below is a summary of the basic tools you'll need. In addition you'll find what tools to use for each product in the following step-by-step instructions. It is suggested to wear safety glasses when using power tools.



hammer



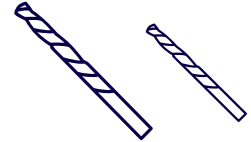
level



phillips
screwdriver



painter tape



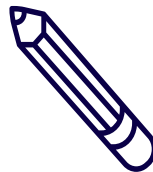
1/8" and 5/16"
drill bits



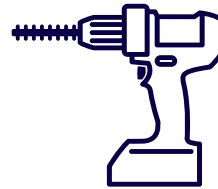
caulking gun



measuring tape



pencil



power drill

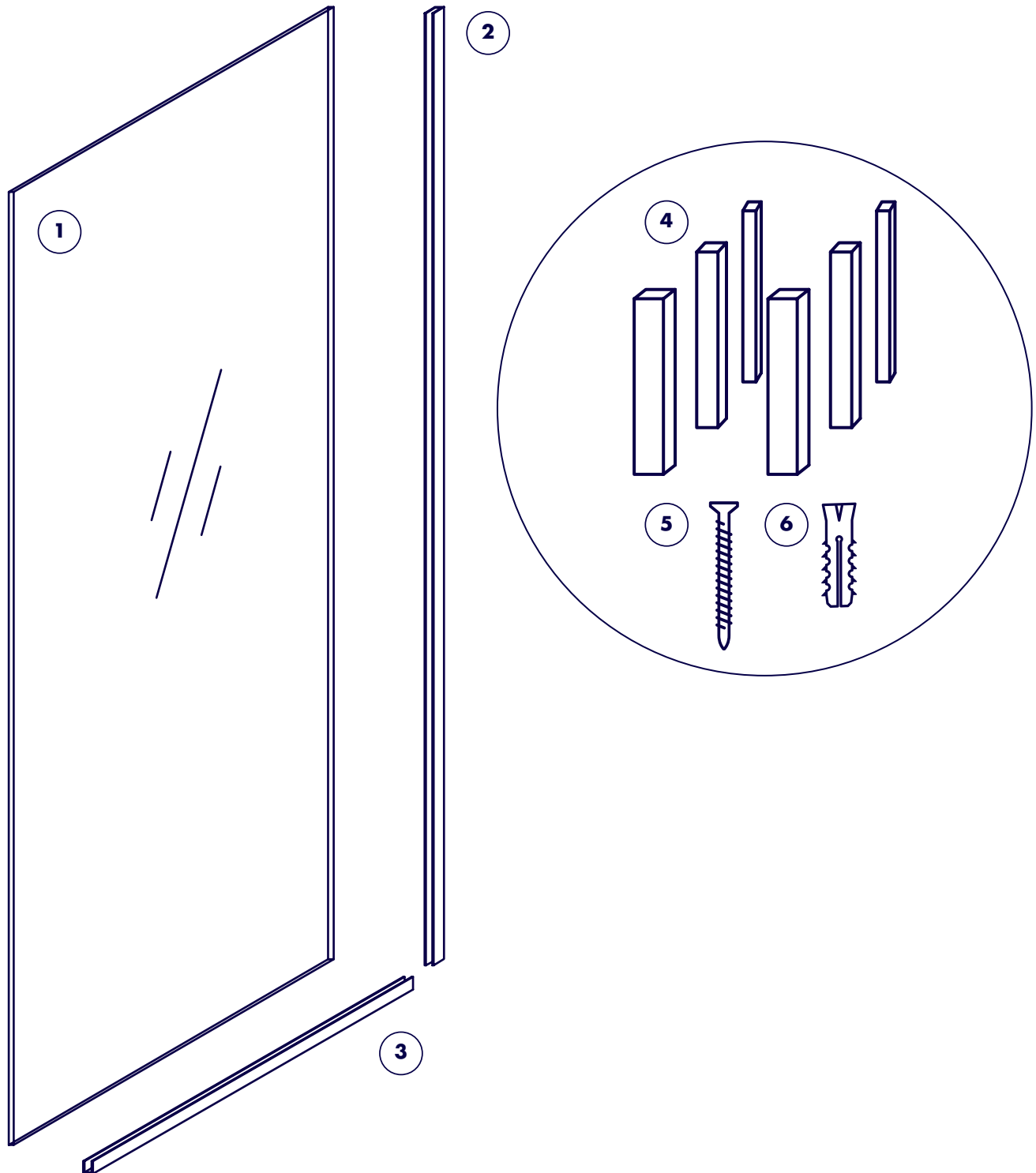


miter saw

SPLASH GUARD COMPONENTS

- 1. Glass pannel
- 2. Vertical wall U-channel
- 3. Horizontal floor U-channel

- 4. Setting blocks
- 5. ST4.2 x 40mm screws
- 6. Wall anchors



INSTALLATION STEPS

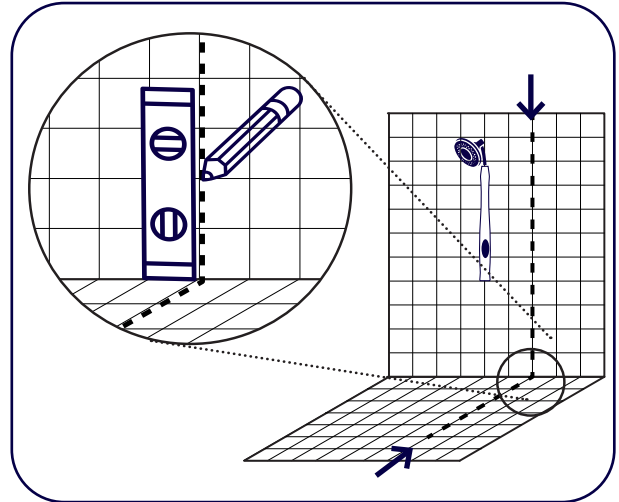
This model is fully reversible. The right wall installation is shown in the following installation steps. For left wall installation, simply reverse the orientation of your installation and begin on the opposite wall.

1 DETERMINING CHANNEL POSITION

Mark the ceramic tiles indicating the centerline of the glass and determine exactly where both channels will be installed.

 **Tip:** Use a level to mark the positions of the vertical centerline on the wall.

Note: The bottom U-channel will be 1/4" longer than the total glass pannel width. The vertical U-channel total length will be 1/2" shorter than the total height of the glass. Once installed, the total shower dimension will match the dimensions ordered.

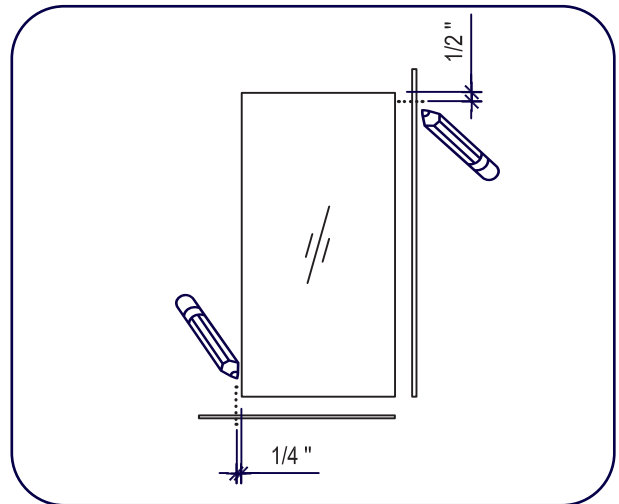


2 CUTTING THE U-CHANNELS

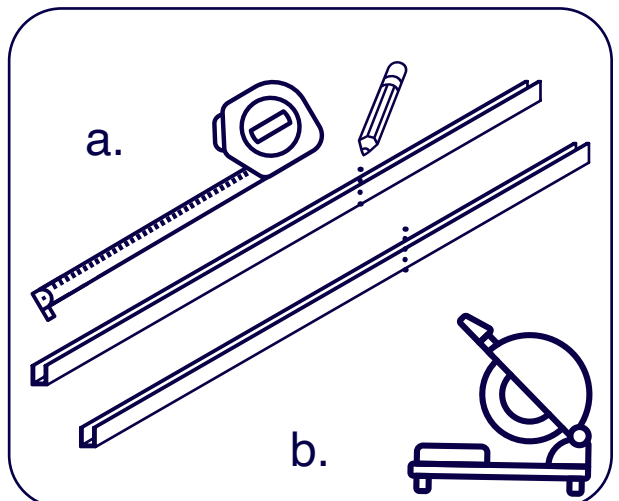
a. Determine the horizontal and vertical U-channel lengths to be cut as follows:

Bottom horizontal channel :
Ordered glass width + 1/4"

Vertical channel:
Ordered glass height - 1/2"



b. Cut the U-channels using a hacksaw or circular saw with a carbide blade to your mark. Use a metal file to remove any burrs from the cut ends and eliminate any stray metal shavings.

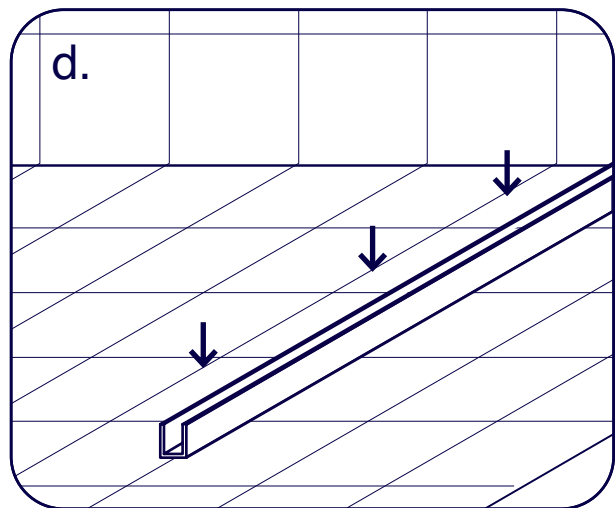
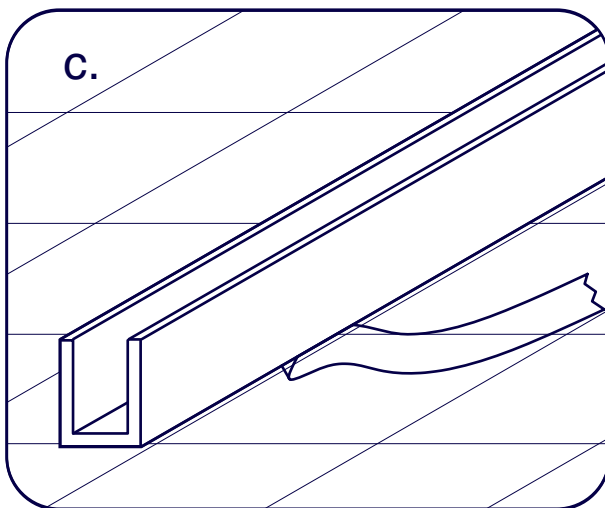
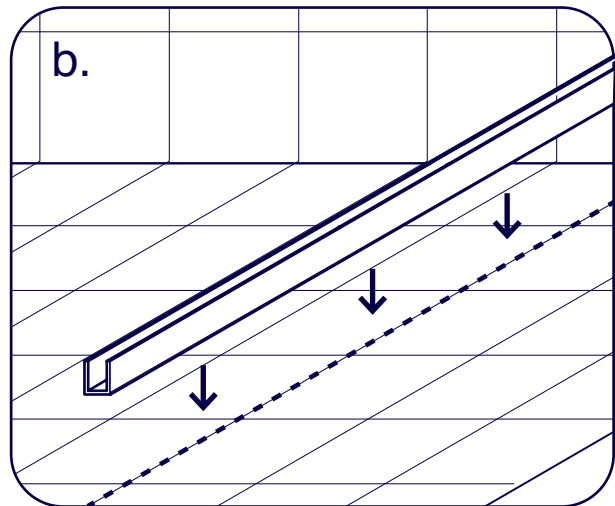
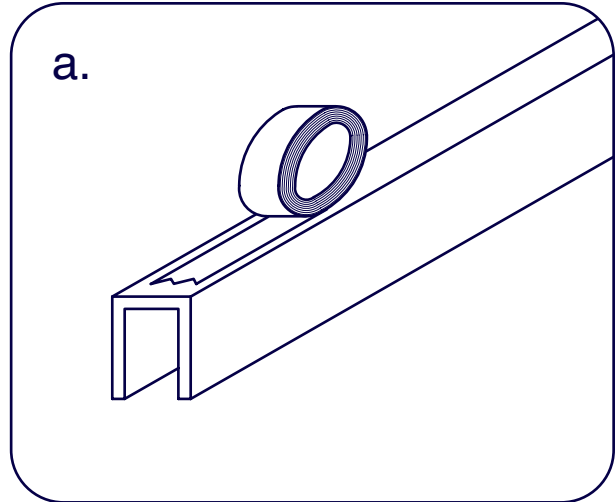


3

SECURING THE BOTTOM CHANNEL

- a. Apply double face tape on the reverse face of the bottom U-channel. Do not peel the plastic film yet.
- b. Align your bottom U-channel with the floor centerline made in step 1. Make sure your U-channel is parallel with your shower base or tile work.
- c. Peel the double face tape gradually while keeping the middle of the bottom U-channel aligned with the centerline.
- d. Apply firm pressure downwards.


Note: You may secure the bottom U-channel with screws the same way you will for the vertical U-channel. However, we recommend using the double face tape and silicone method. Holes in the bottom track can lead to water infiltration in the long term. Also once the glass panel is installed, the weight of the glass itself holds the channel in place. Silicone joint needs to be correctly applied on both sides of the U-channel to properly secure the glass. Once silicone cures the base should be strong and steady. Therefore using screws to secure the bottom U-channel is not mandatory. Please consult with a specialist for proper weight load.

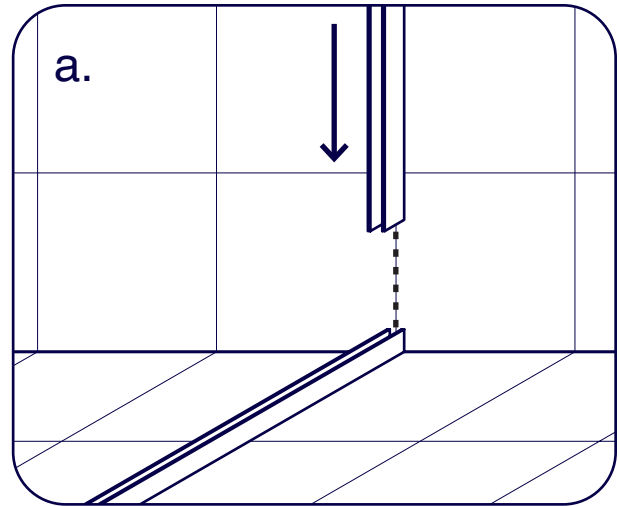


4


SECURING THE VERTICAL CHANNEL

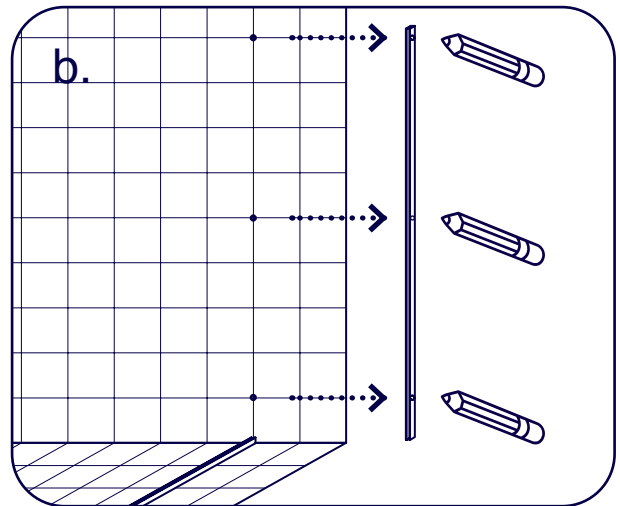
a. Align the vertical U-channel on top of the bottom U-channel and the vertical centerline made in step 1A.

 Tip: Using a level, double check that the vertical U-channel is plumb.



b. Mark the position of the holes for drilling in the U-channel track. You need to use at least 3 holes for the U-channel wall profile. One at each extremity and one in the middle.

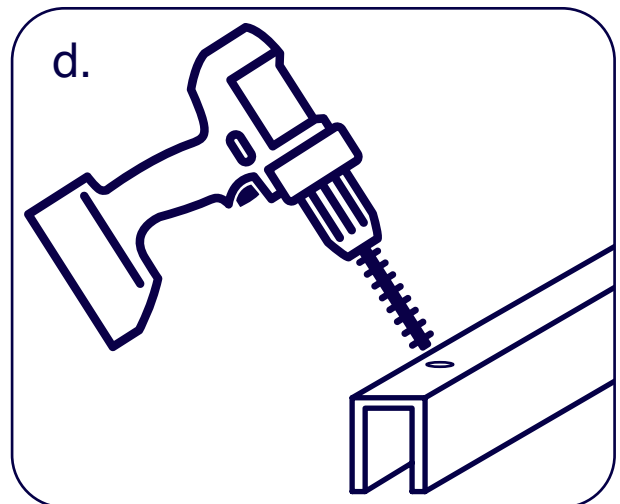
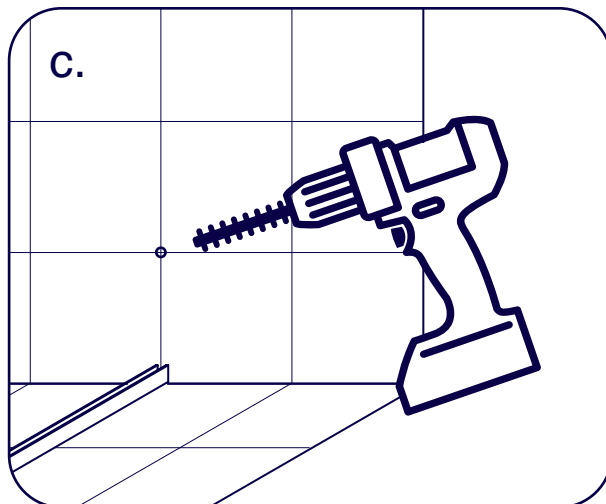
 Tip: If you are installing the shower on ceramic walls, align the 3 drilling holes with the ceramic grout joint. It will be much easier to drill since grout is much softer than the ceramic.



c. Remove the vertical channel from the wall and drill the holes using a 5/16" Ø drill bit.

Note: Drill 1/8" pilot holes if necessary.

d. Drill the holes into the U-channel using a 5/16" Ø drill bit.



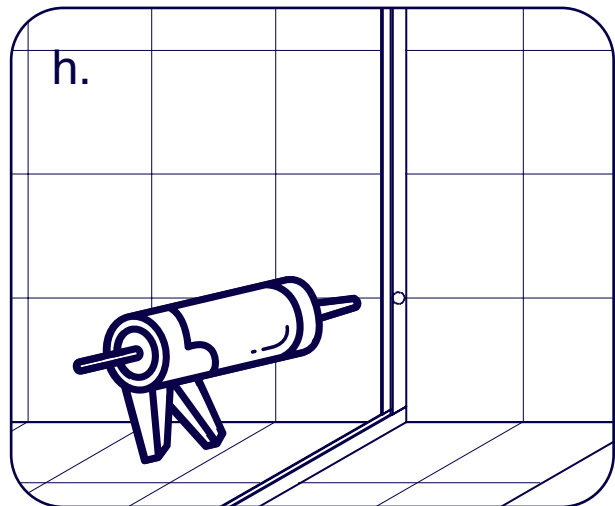
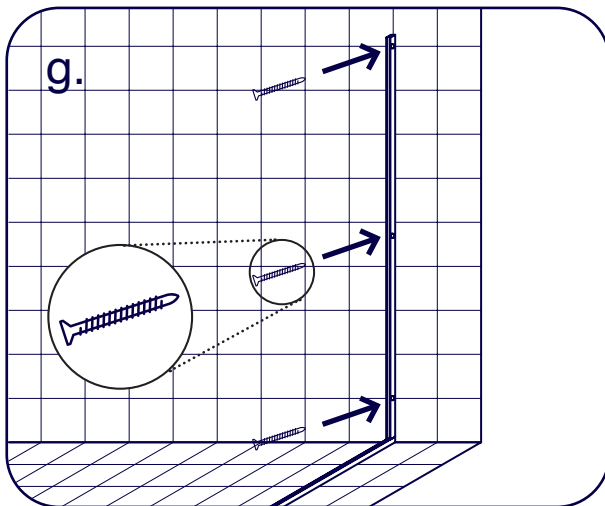
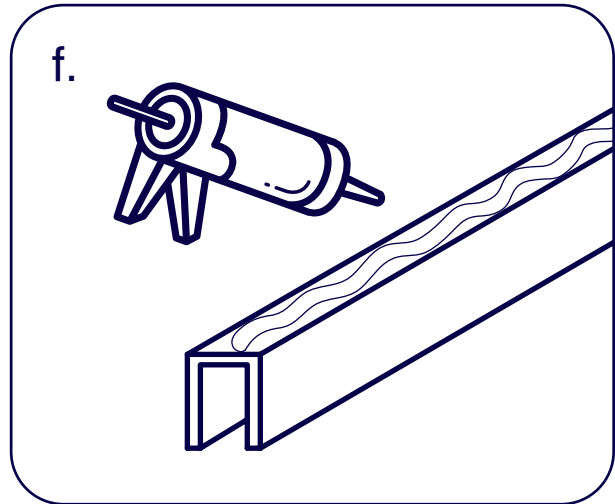
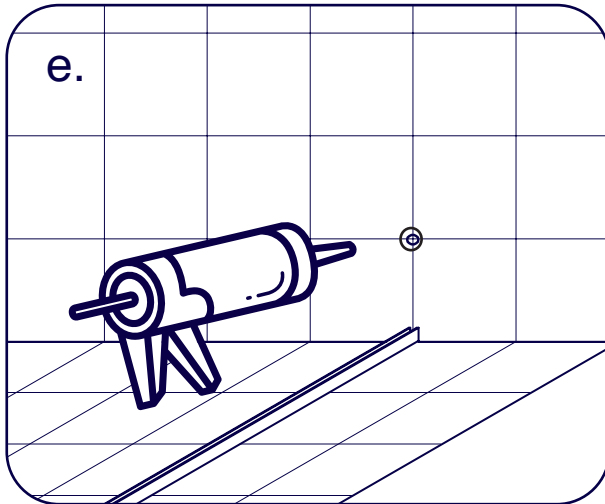
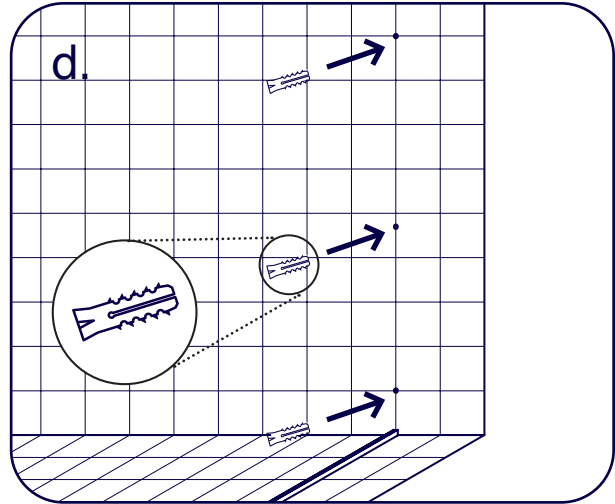
d. Insert the wall anchors into the holes.

e. Apply silicone into your wall anchors.

f. Apply silicone to the back of the U-channel

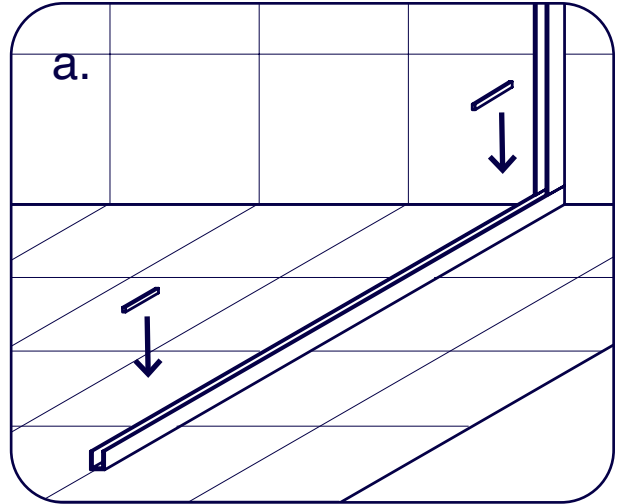
g. Attach it to the wall using the ST4.2x 40mm screws.

h. Cover all screws with a drop of silicone.



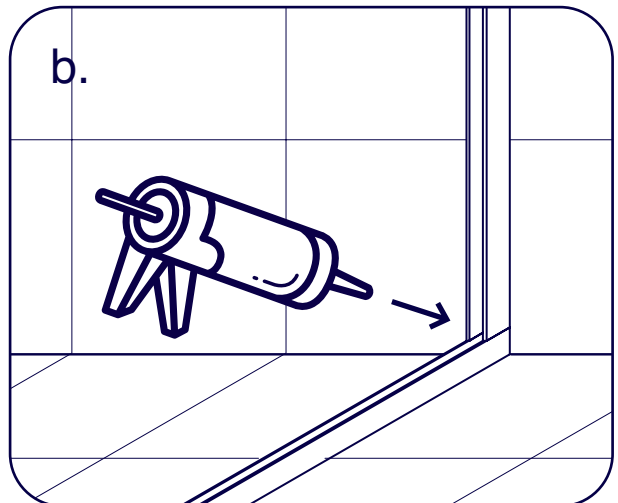
5 INSTALLING THE GLASS

a. Add the ¼" Adjustment setting blocks into the bottom u-channel.



b. Generously apply mildew-resistant silicone at the junction of the U-channels.

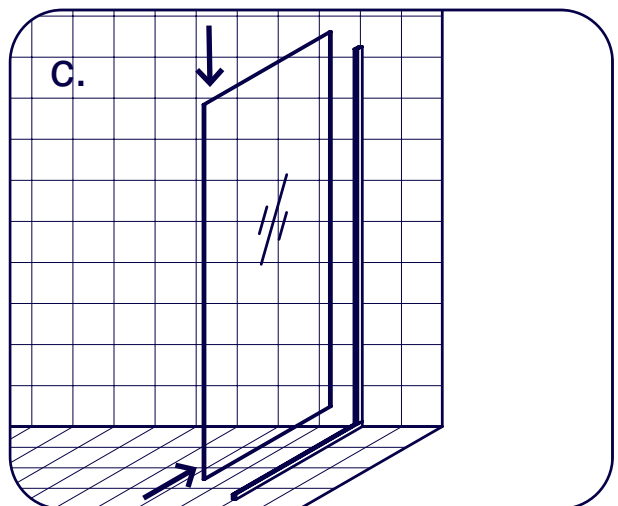
Note: You may choose to do this step at the end, but it's crucial to not forget this step.



c. Install the Stationary glass into the U-channels.

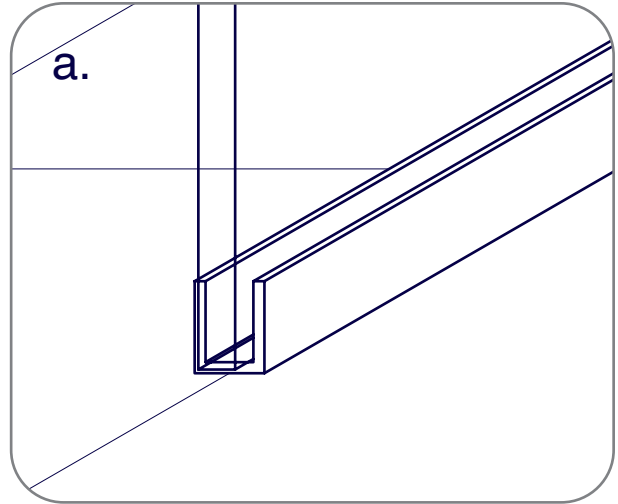
The glass should be set so that the two unpolished sides are hidden in both the bottom and wall U-channels. The top and outside edge should be set so that the polished edges are exposed.

You may gently tap on the glass using a block of wood and a mallet (be careful not to hit on any of the glass corners).



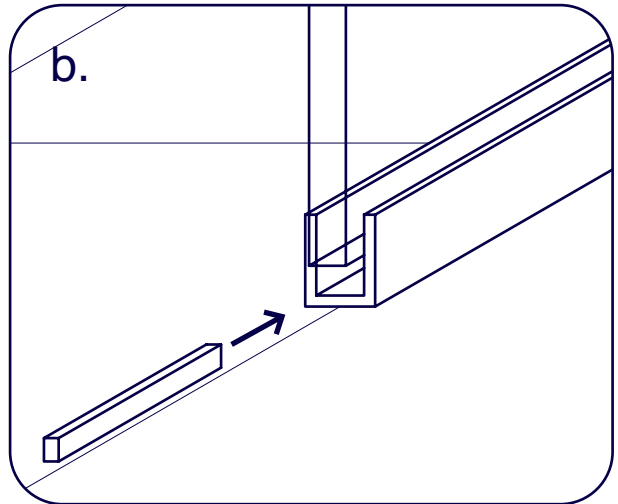
6 ADJUSTING THE GLASS

a. Align the edge of the glass with the end of the bottom "u- channel". The edge of the glass should exceed the channel of about 1/16".



b. Adjust the fixed glass panel so that it is leveled and that all glass edges are well set in their respective U-channels.

Use the 1/8" and 1/16" clear setting blocks provided in the installation kit to level the glass. For left to right adjustment, pull out or push the glass in the wall U-channel.

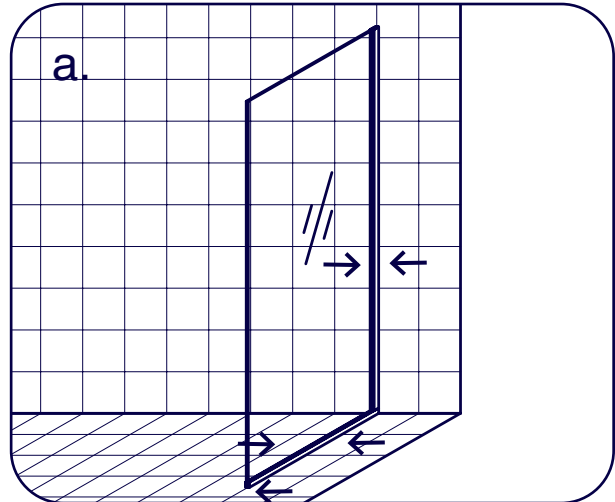


7 APPLYING THE SILICONE

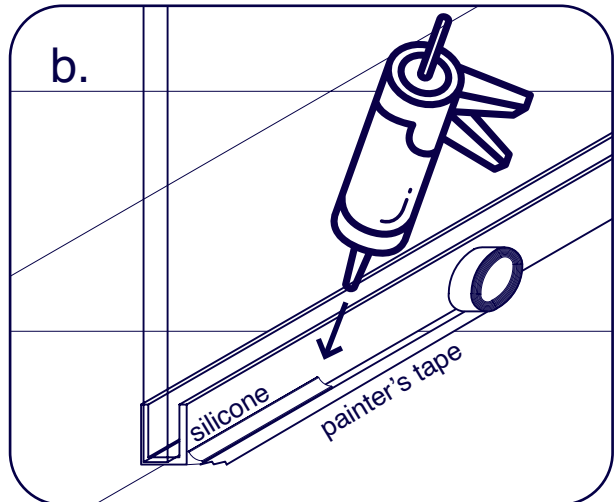
a. Apply silicone along the U-channel where it meets the wall and base from inside and outside of the shower.

Apply silicone to the exposed end of the U-channel.

NOTE: The surfaces need to be clean and free of debris before applying silicone.

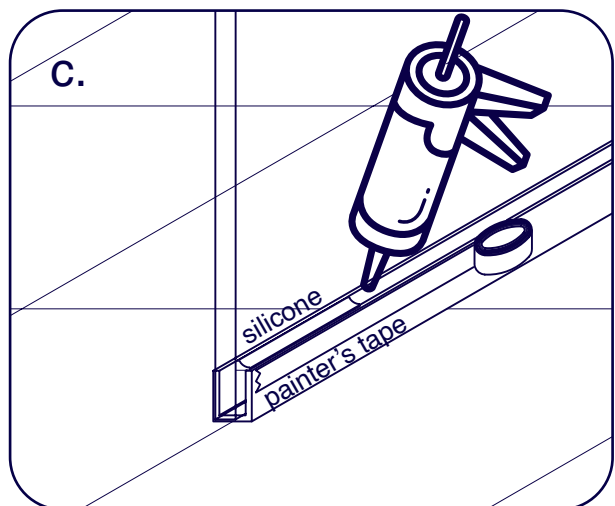


b. To reach an even silicone bead width, apply painter's tape where the channel meets the tile or marble.



c. Then do the same where the glass meets the U-channels. Allow for the silicone a gap of about 1/16"-1/4". Remove painter's tape after the allocated curing time.

Let silicone cure for 24-48h before exposing to water.



PRODUCT MAINTENANCE

GLASS

To ensure long-lasting life for your glass shower products: wipe them off after each use with a soft cloth. Rinse and wipe off the glass using either a soft cloth or a squeegee to prevent soap buildup and water spots (Hard water can etch the surface of the glass over time if left to dry). To prevent scratching the surface: never use abrasive cleaners or cleaning products that contain scouring agents. Never use bristle brushes or abrasive sponges that may scratch the surface.

HARDWARE

To ensure a long-lasting finish: wipe off the metal parts after each use with a soft cloth. Do not use abrasive cleaners or cleaning products containing ammonia, bleach or acid. If accidentally used, rinse the surface as soon as possible to prevent damage to the finish (peeling or corrosion). After cleaning the polished finishes, rinse thoroughly and wipe dry with a soft cloth. Clean stainless steel surfaces at least once a week. When applying stainless steel cleaner or polish to stainless steel hardware, work with (not across) the grain. Never use an abrasive sponge or cloth, steel wool or wired brush as these may permanently scratch the surfaces.

NOTE: To maximize the life of your door, it is important to regularly inspect the glass and other hardware for misalignment, proper attachment, and/or damage. Contact Glass & Mirror with any questions or concerns.

Our shower doors and enclosures are designed not to leak when installed properly and the flow of water is not pointed directly at the wall mounted hinges or vinyl seals.