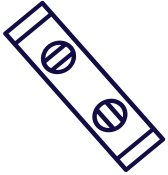




SHOWER ENCLOSURE MEASURING GUIDE

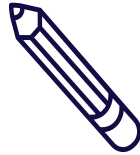
THE TOOLS YOU'LL NEED



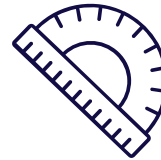
level



measuring tape



pencil



protractor
(Neo angle shower only)

PREPARATION

Finalize wall material before you measure

Before you begin, make sure your shower walls are in their final state, whether they're finished with tile or a tub surround to get an accurate measurement. Ordering prior to the completion of tiling is the single biggest error both contractors and do it yourselves commit. This applies particularly to frameless enclosures.

Ordering the correct size enclosure is critical to a proper installation. The drawings on the following pages are designed to help you provide us with this information. Please remember that we can never have too much information regarding your application.

GENERAL MEASURING RULES

- 1** Always determine shower position, layout and measurements as if looking at the shower from the outside.
- 2** Ensure that the finished wall material is in place before measuring. Confirm that proper blocking is in place for heavy glass enclosures.
- 3** All measurements are assumed to be centerline of the glass panel, unless noted otherwise.
- 4** How accurate does the measurements have to be to place an order?
 - Framed enclosures - within 1/4" accuracy
 - Frameless enclosures - within 1/8" accuracy

Note: To estimate the cost of your project using our online software, this level of accuracy is not required.

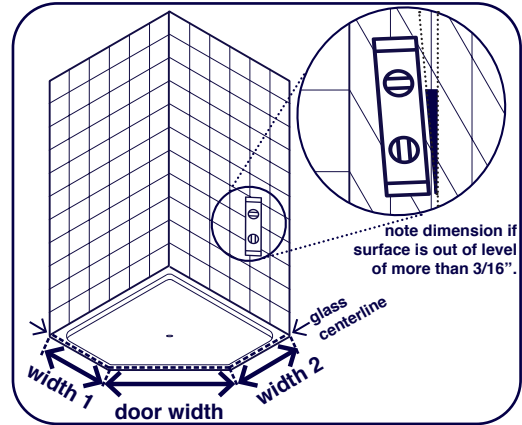
NEO ANGLE SHOWER MEASURING GUIDE

1 Width and door measurement

Specify your total opening width as specified below. We will custom make the shower enclosure for your opening.
a) Determine the centerline of return panels and door section.
b) Determine the 2 intersection points of the centerlines.

Width 1: Measure from wall 1 to the point of intersection.
Width 2 : Measure from wall 2 to the point of intersection.
Door width: Measure between the two points of intersection of return panels.

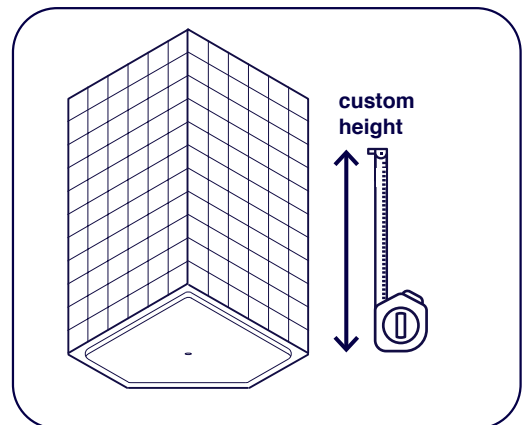
Out of plumb walls:
If your walls are not straight and the slope exceeds $3/16''$, include the out of plumb measurements and indicate if the wall is sloped towards the inside or the outside of the shower.



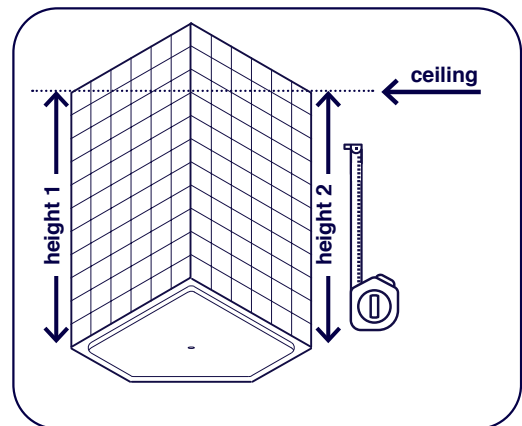
2 Height measurement

Please apply the proper measurement method for your application:

Standard shower configuration (does not go all the way up to the ceiling):
Simply specify your own desired shower height. Measure from the top of the threshold, tub deck or floor to as tall as you would like your shower enclosure to be. Common custom shower size height varies anywhere from 70 to 84\"/>



Floor to ceiling shower configuration:
Measure maximum height available from the top of the tub deck, threshold or floor, all the way up to the ceiling. Take measurements at least at 2 locations. Using your measuring tape, measure the total height across the left, center, and right side of your shower opening.



3 Door hinges

Door dimension is determined in step 1.

Regular hinges : Door size usually varies anywhere from 15 to 28\"/>

Heavy duty hinges: If your door width is wider than 28\"/>