

FRAMELESS GLASS RAILING INSTALLATION GUIDE

Base mounted spigots system

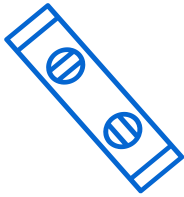
This guide provides you with tips and step-by-step instructions on how to install your Glass & Mirror frameless glass railing.

BEFORE YOU BEGIN

- 1** Examine all packages for shipping damage and validate your piece count with packing list for your model in this manual as a reference. If your package is damaged or parts are missing, please contact Glass & Mirror's customer support within 3 business days from delivery.
- 2** Make sure to comply with your local building codes regarding compliance with applicable building code. Glass & Mirror is not responsible for code compliance and will not accept any returns in this regard.
- 3** Due to the weight and nature of glass panels we recommend a two-person lift when moving the panels.
- 4** When moving and storing the glass it is vital that the glass edges never make contact with hard surfaces such as concrete.
- 5** The safety of any installation is the responsibility of the installer. Professional installation and/or supervision is recommended.
- 6** We recommend the following safety gear when handling glass: Safety Glasses, safety boots, work and gloves.

THE TOOLS YOU'LL NEED

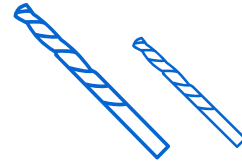
Below is a summary of the basic tools you'll need. In addition you'll find what tools to use for each product in the following step-by-step instructions. It is suggested to wear safety glasses when using power tools.



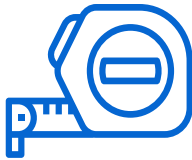
LEVEL



ALLEN KEY



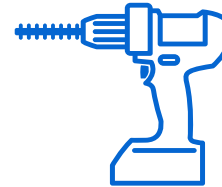
**1/8" AND 5/16"
DRILL BITS**



**MEASURING
TAPE**



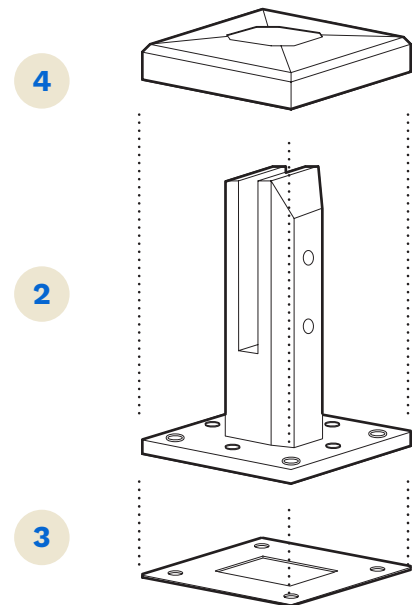
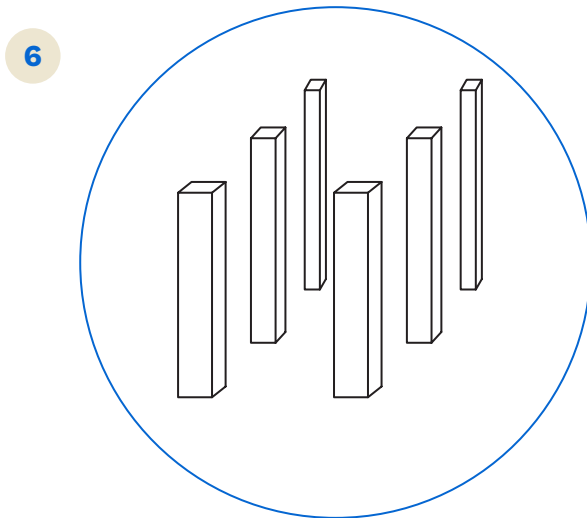
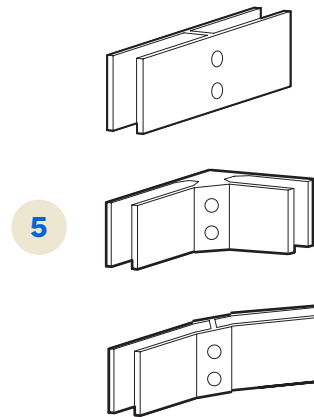
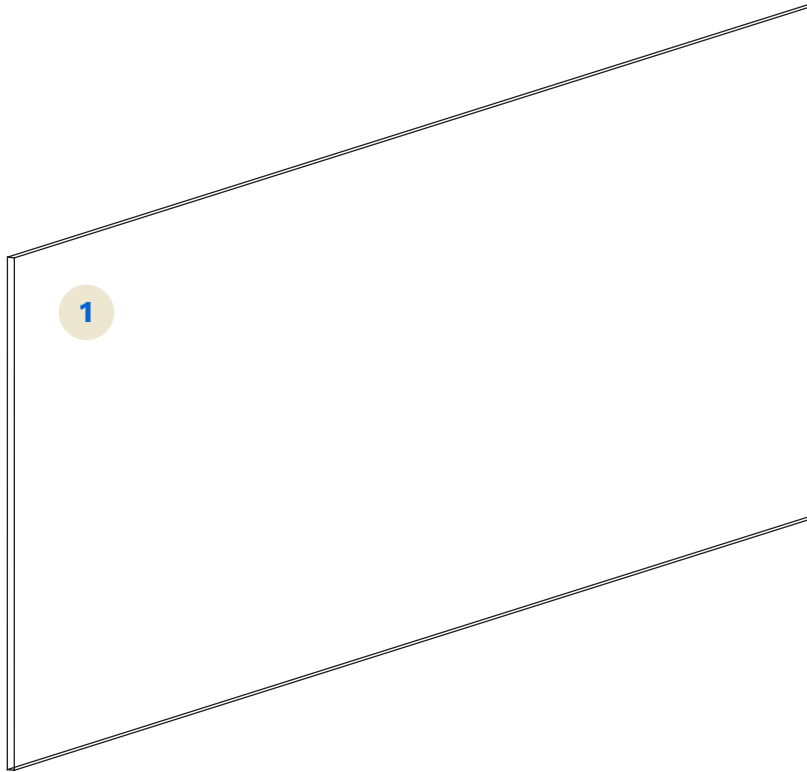
PENCIL



POWER DRILL

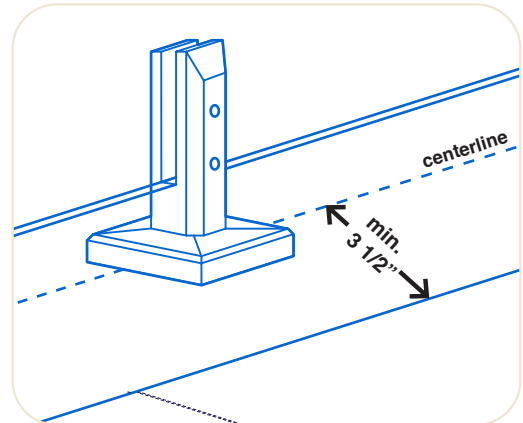
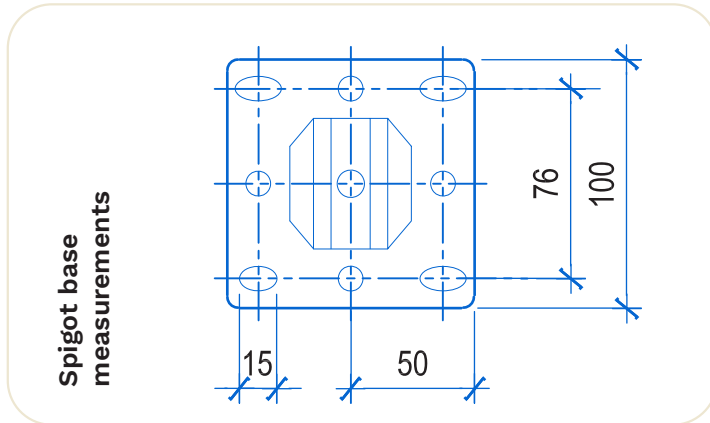
RAILING COMPONENTS

- 1. Glass pannel
- 2. Square glass clamps
- 3. Gaskets (2 per clamp)
- 4. Setting blocks
- 5. ST4.2 x 40mm screws
- 6. Wall anchors



INSTALLATION STEPS

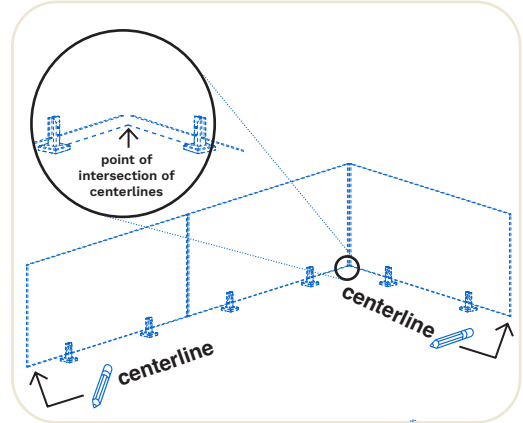
This model is fully reversible. The right wall installation is shown in the following installation steps. For left wall installation, simply reverse the orientation of your installation and begin on the opposite wall.



1 MARK THE RAILING CENTERLINE

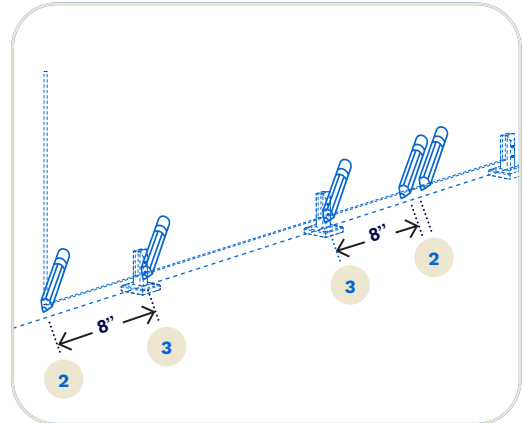
Mark the railing centerline across the whole span. For a multiple section install, the centerlines of each span have to be marked.

Use a string line or a chalk line to mark your centerline.



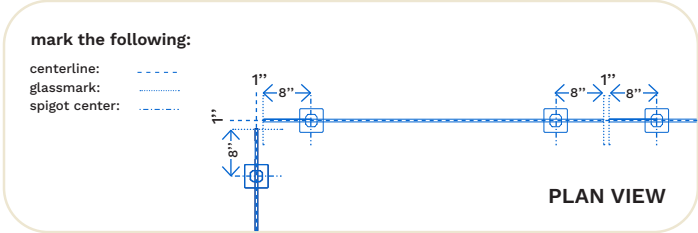
2 MARKING THE GLASS PANELS POSITION

Use your plan PDF to identify each glass panel position. Mark the starting and finishing point of each glass panel along the railing centerline. Make sure to account for proper gaps between each glass pane.



3 MARKING THE SPIGOTS POSITION

Measure 8" from the glass panel starting and finishing point, Mark the spigot center. For door spacing, refer to step 8: Door installation.



4 INSTALLING THE SPIGOTS

a. Place the Spigot on top of the 1/8" thick metal base plate, Align your spigot across the railing centerline and on its respective reference mark done in step 3. Mark the 4 anchor points.

b. Pre-drill the lag head screw holes with appropriate drill bit size.

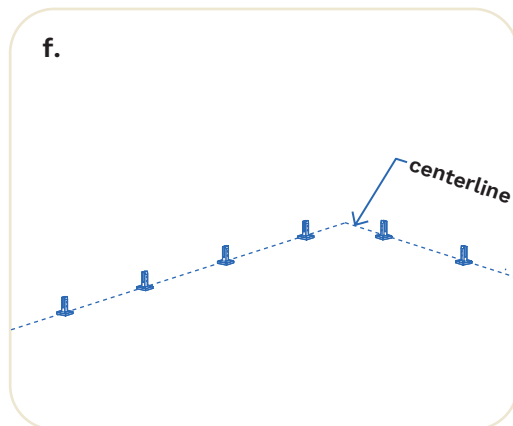
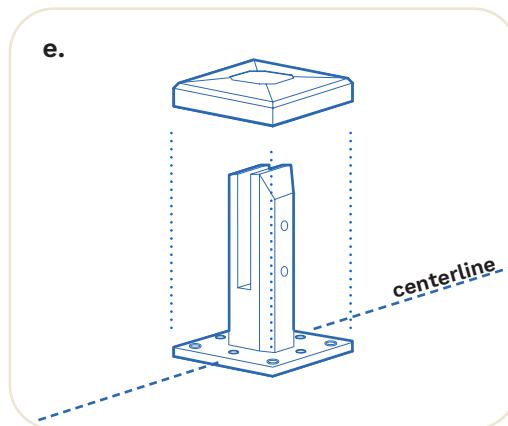
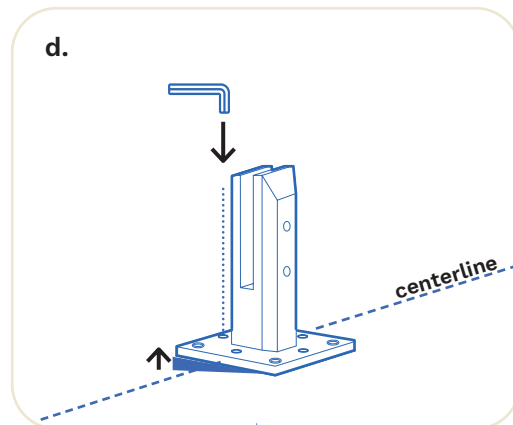
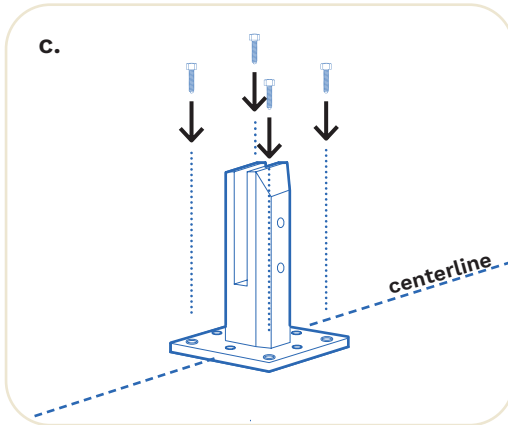
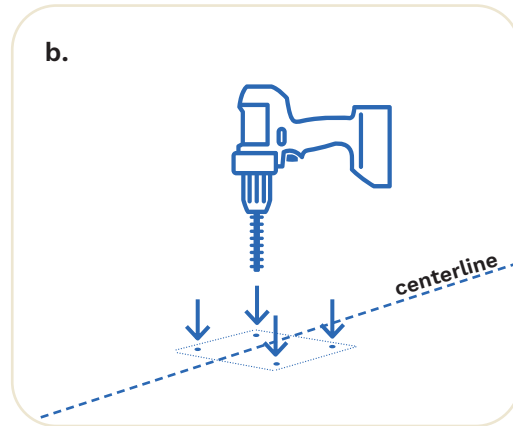
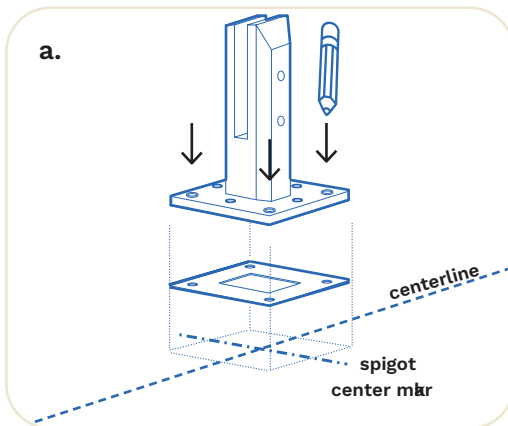
c. Secure the spigot in place by inserting 4 lag head screws into the previously drilled holes.

d. Use the 4 Allen key adjustment screws to level the spigot.

Tighten the 4 lag head screws firmly.

e. Put the spigot cover in place.

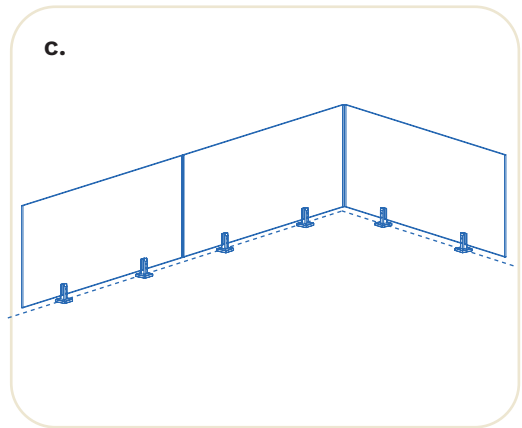
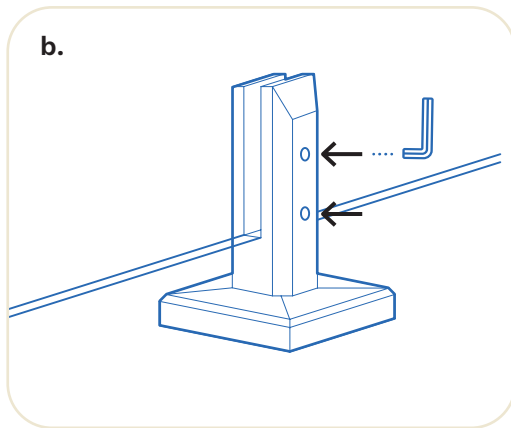
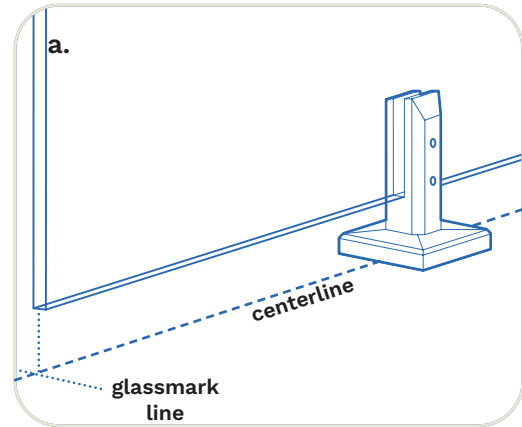
f. Repeat step 3 to 4 for each spigot.



5 INSTALLING THE GLASS


Note: it is important that each spigot is well aligned on the centerline and that they are plumb and level to ensure that each glass panel slides in place smoothly.

- a. Align the glass panel so it is flush with your mark done in step 2.
- b. Secure the glass panel into the spigot. Tighten the Allen key screws.
- c. Set in place every glass panel all along the span.



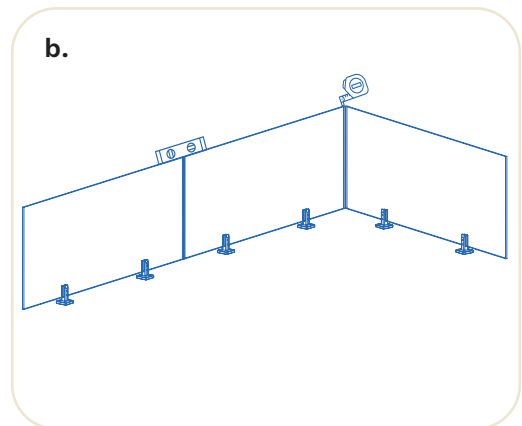
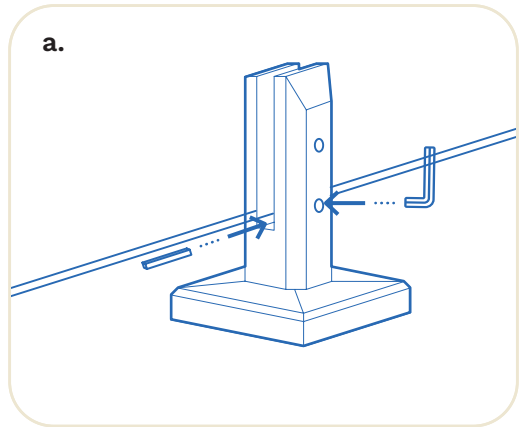
6 ADJUSTING THE GLASS

a. Adjust the glass panels until it is leveled and that the proper gaps are obtained all around the perimeter of the glass.

 Tip: Loosen the Allen key screws and use clear setting blocks provided in the installation kit to adjust the glass. Make sure to tighten the Allen key screws when done

b. Perform final adjustments until the Glass panels are aligned and that there is an even reveal between glass.

 Tip: Installing the glass to glass clamp in step 7 will help to align the top part of the glass together.



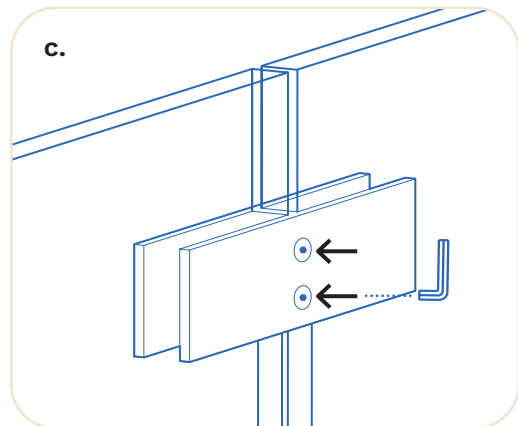
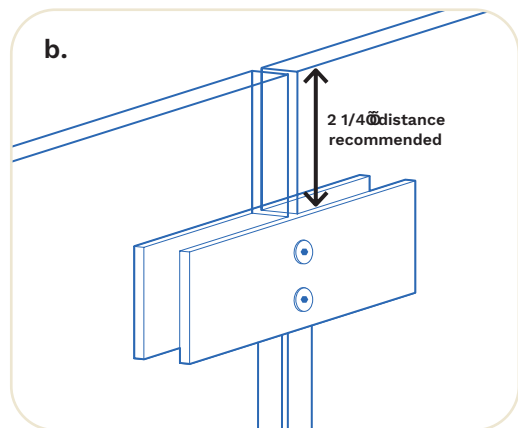
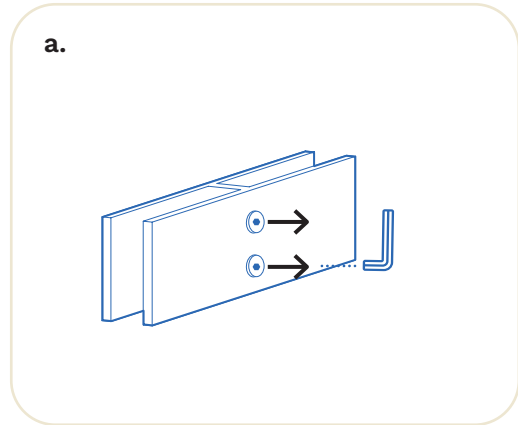
7 INSTALLING THE GLASS TO GLASS CLUMPS

Note: it is important that each spigot is well aligned on the centerline and that they are plumb and level to ensure that each glass panel slides in place smoothly.

- a. Loosen the Allen key Screws.
- b. Slide down the clamp in place. Set the clamp at desired height. We recommend a 2 1/4" gap from the top of the glass to the top of the clamp.
- c. Manually tighten the inner face of the fixed clamps.



Tip: Make sure the gaskets are well positioned on both sides of the clamps before tightening the screws.



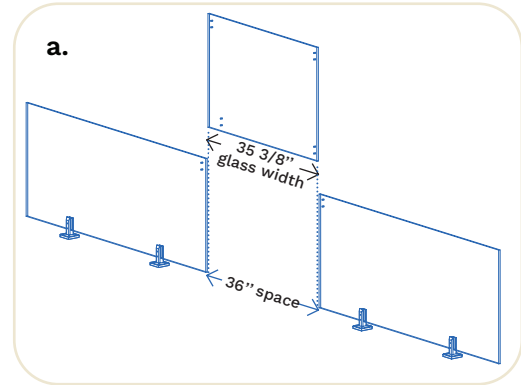
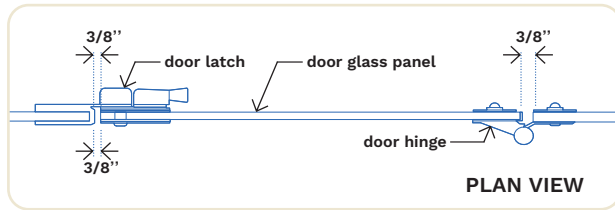
8 DOOR INSTALLATION

3 types of installation:

- 8/A: Inline configuration (glass to glass)
- 8/B: Corner door configuration (wall/post to glass)
- 8/C: Corner door configuration (glass to glass)

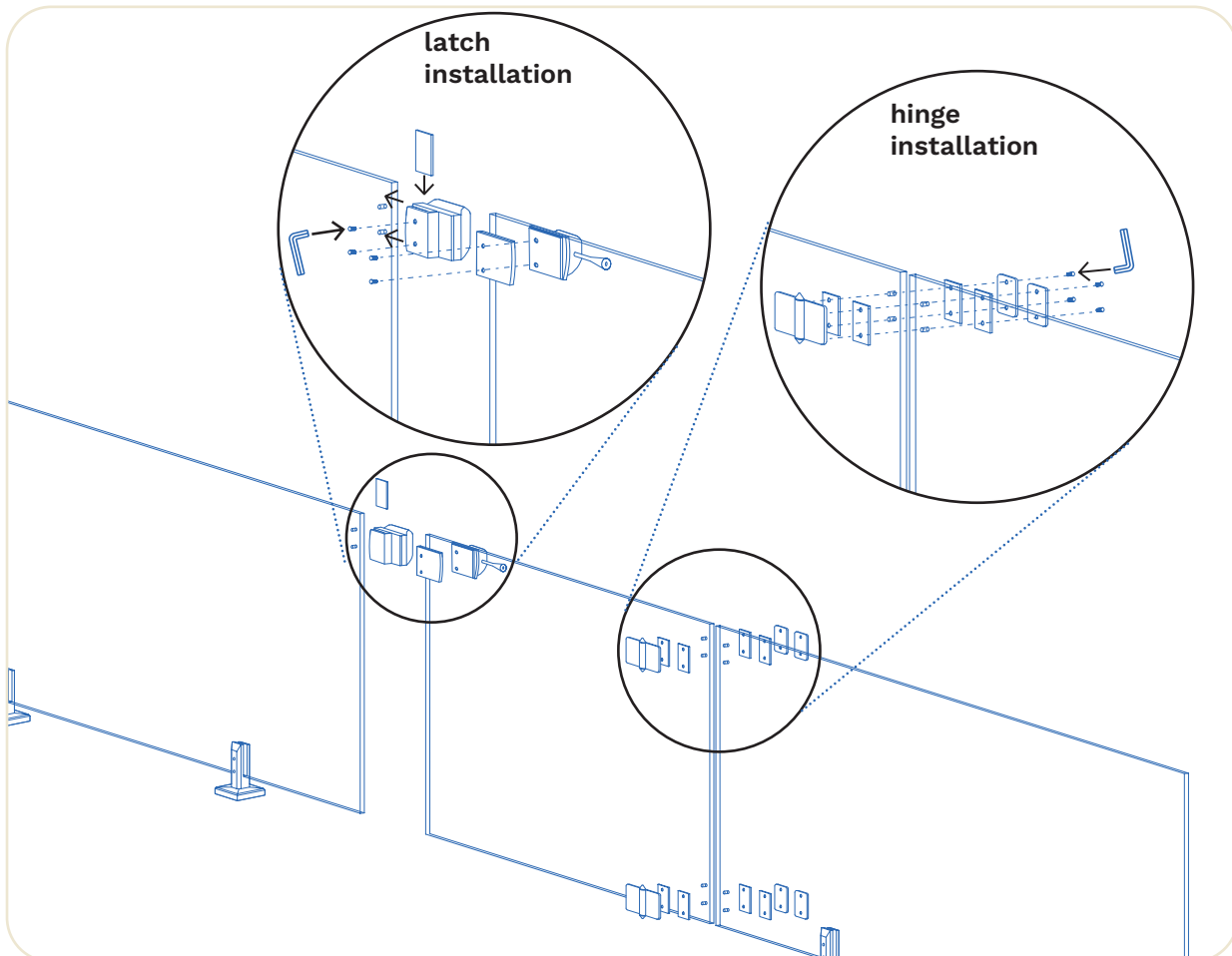
8/A INLINE CONFIGURATION (GLASS TO GLASS)

a. The dimension of the door opening should be 36".

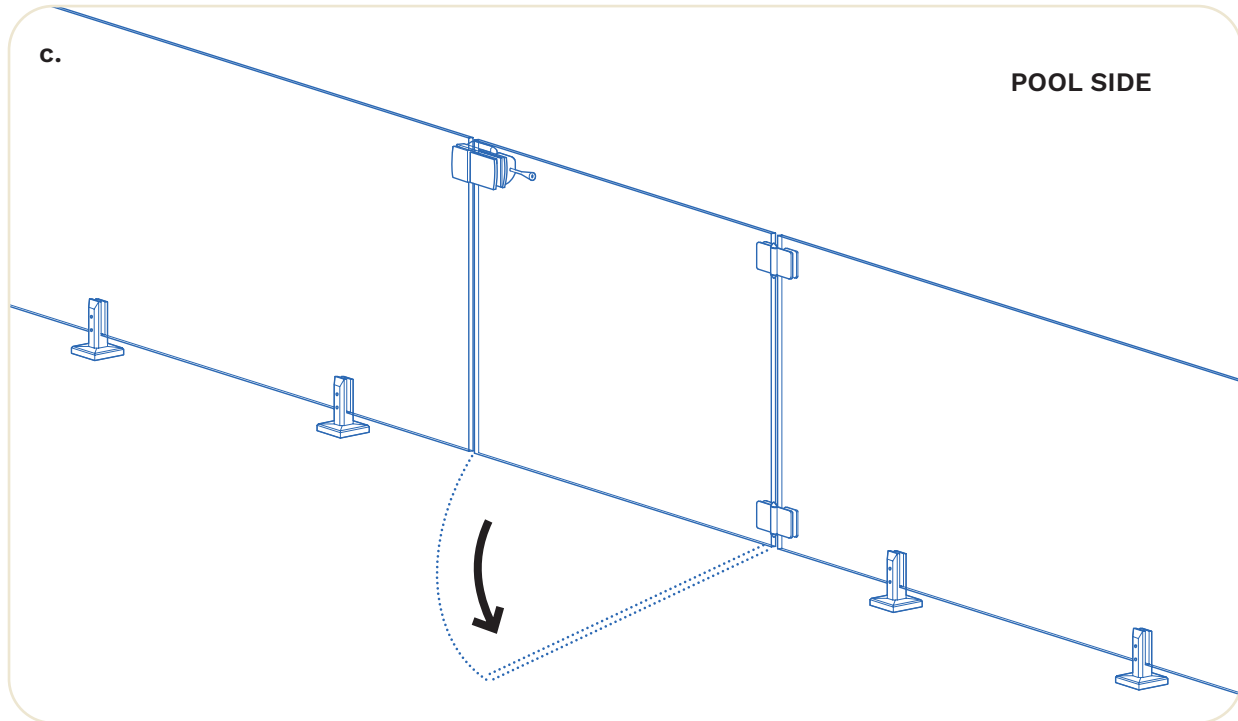


b. Install the two spring loaded door hinges and the magnetic door latch as illustrated below.

 Tip: Adjust the door closing speed with the allen key adjustment screws located on the cylindrical part of the spring loaded hinges.



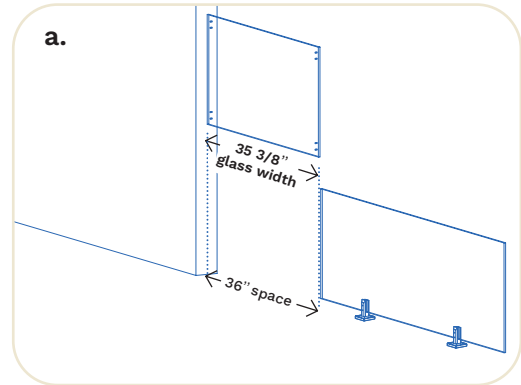
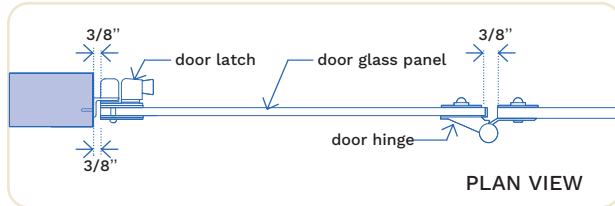
c. For Pool Railing, the door latch should be installed on the pool side of the gate. The door must swing outward, away from the swimming pool.



8/B

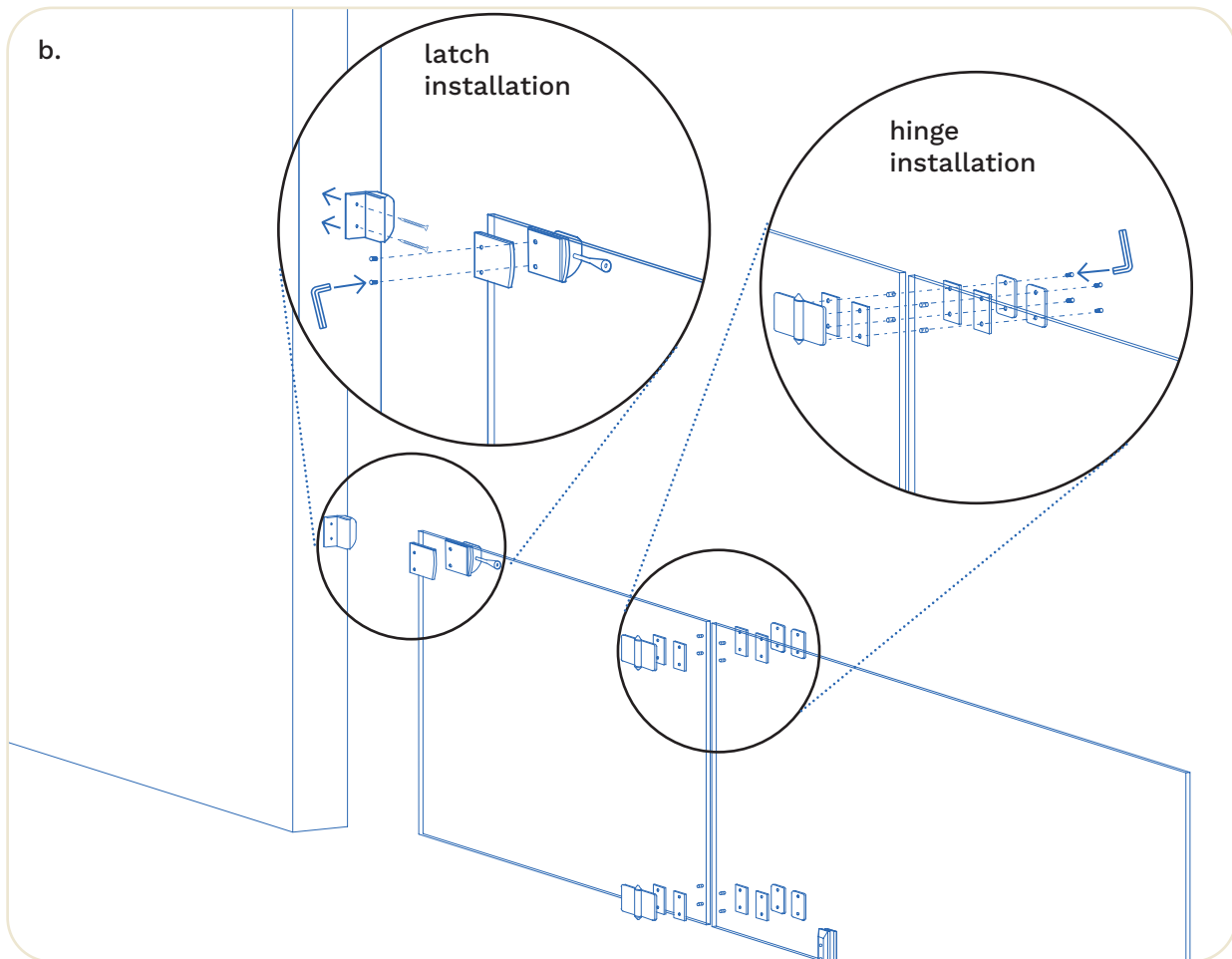
**CORNER DOOR CONFIGURATION
(WALL/POST TO GLASS)**

a. The dimension of the door opening should be 36”.

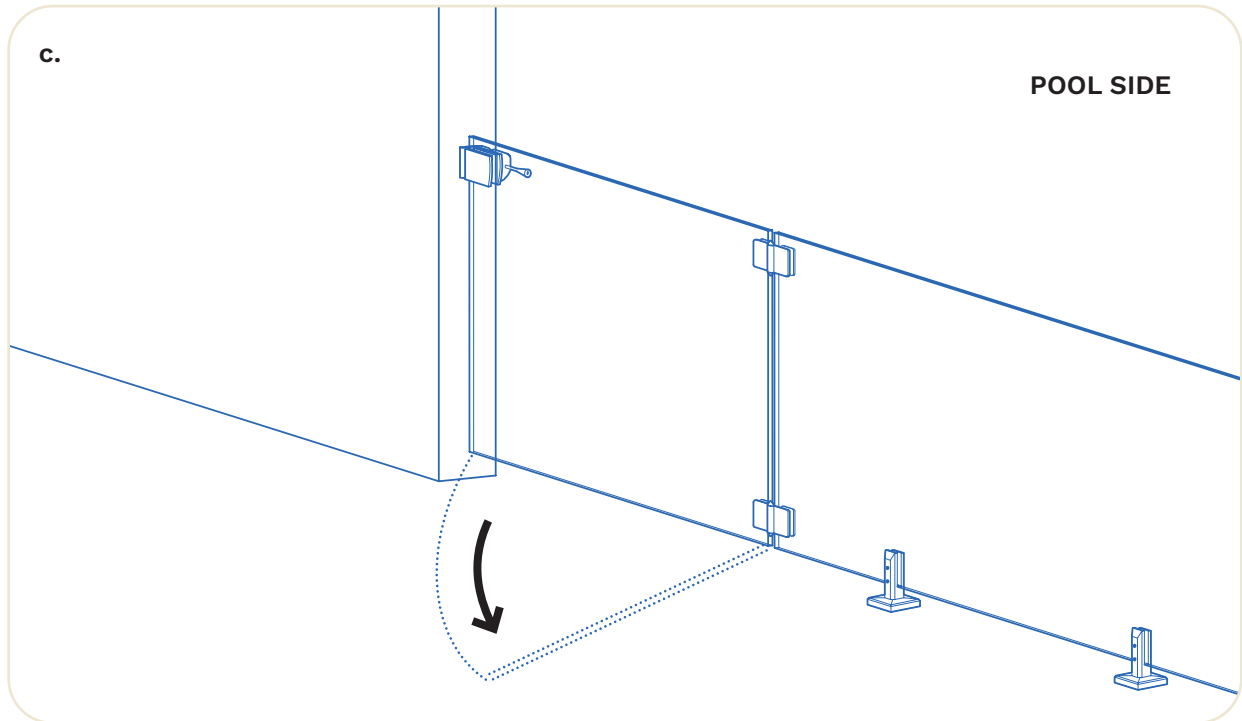


b. Install the two spring loaded door hinges and the magnetic door latch as illustrated below.

 Tip: Adjust the door closing speed with the allen key adjustment screws located on the cylindrical part of the spring loaded hinges.



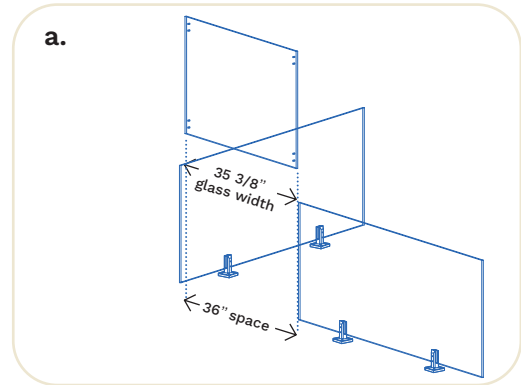
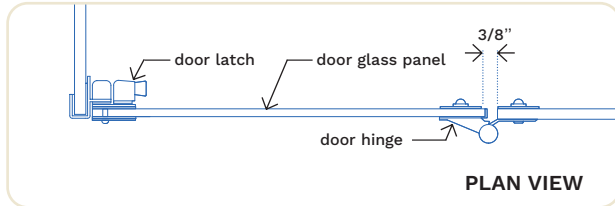
c. For Pool Railing, the door latch should be installed on the pool side of the gate. The door must swing outward, away from the swimming pool.



8/C

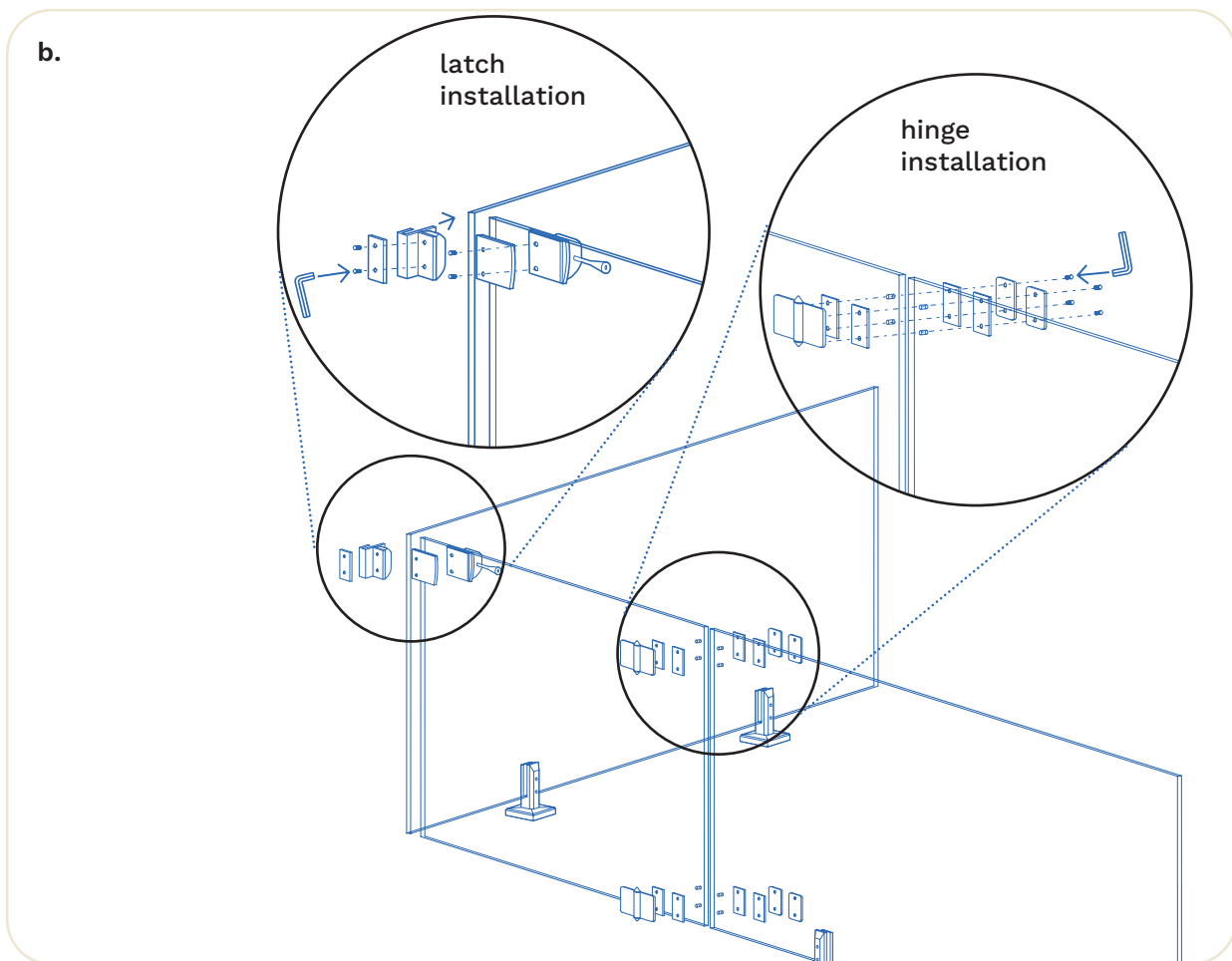
**CORNER DOOR CONFIGURATION
(GLASS TO GLASS)**

a. The dimension of the door opening should be 36".

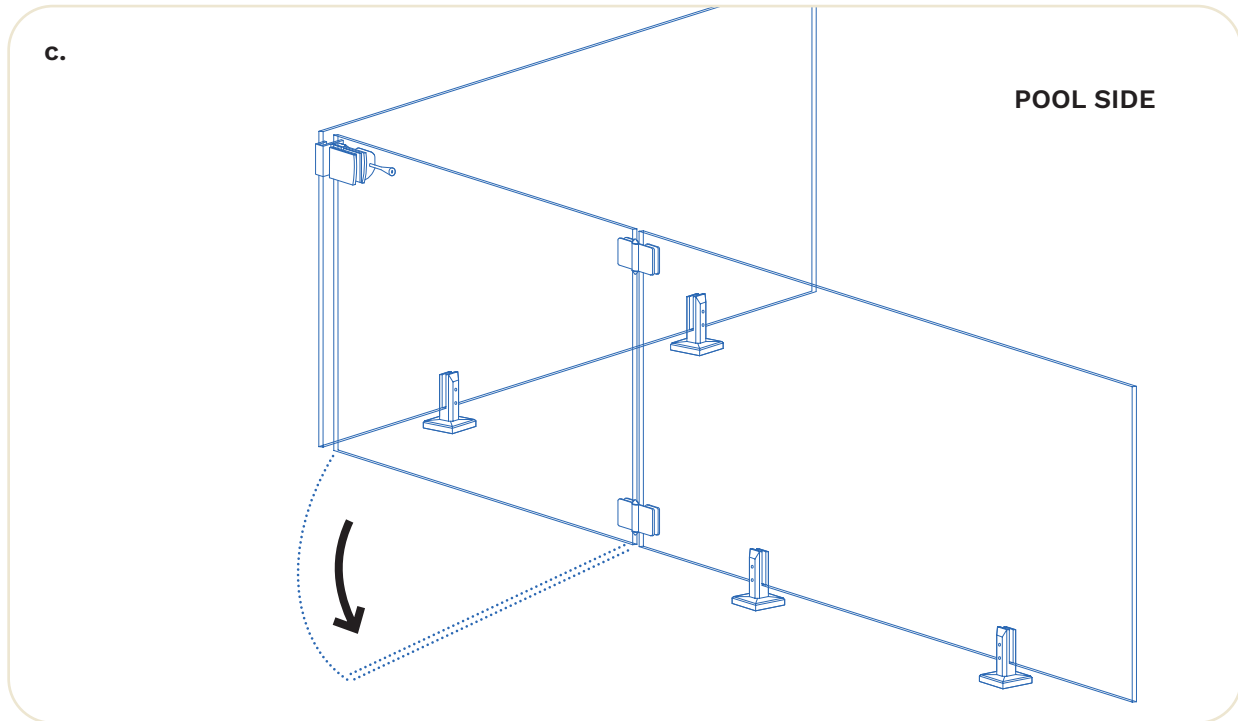


b. Install the two spring loaded door hinges and the magnetic door latch as illustrated below.

💡 Tip: Adjust the door closing speed with the allen key adjustment screws located on the cylindrical part of the spring loaded hinges.

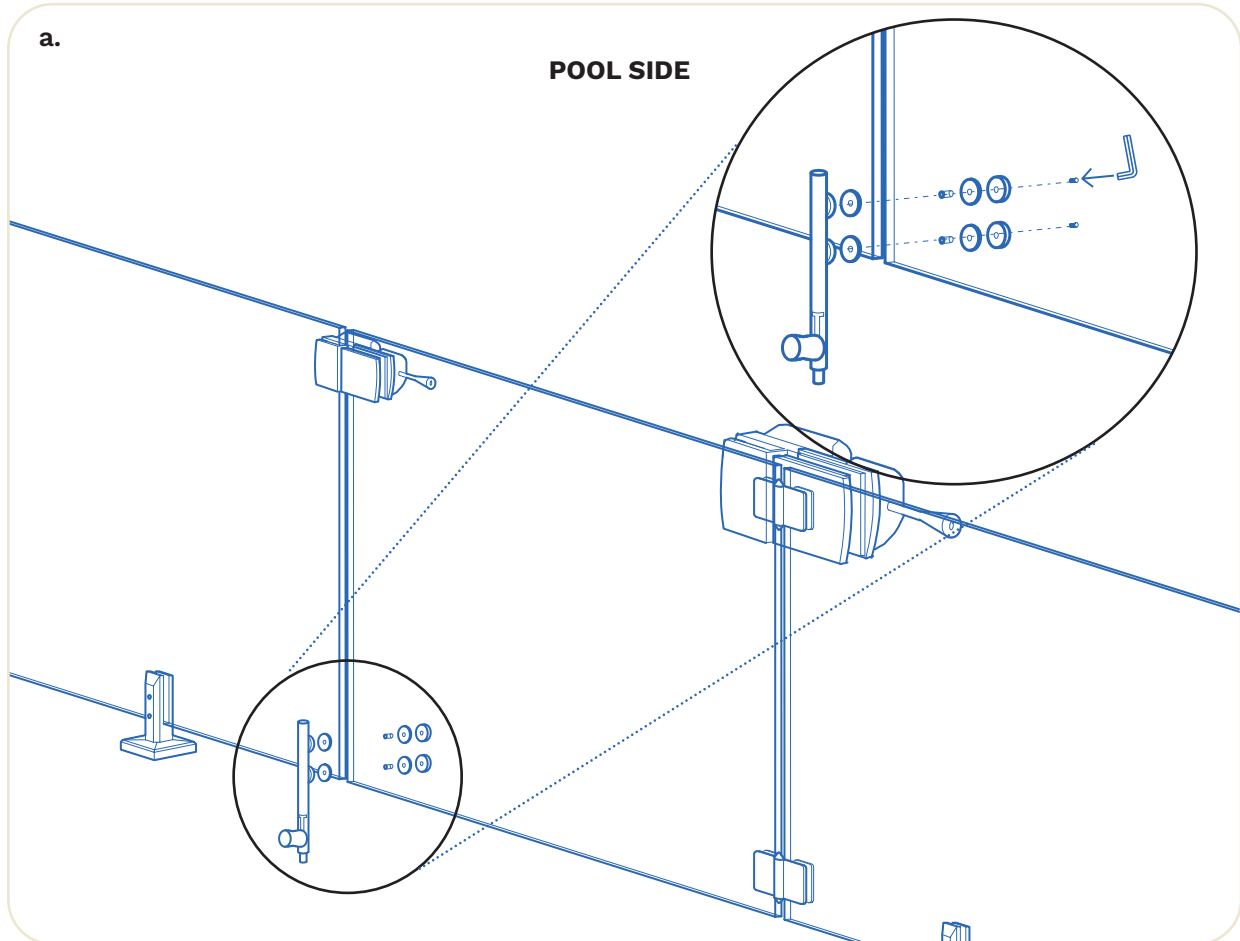


- c. For Pool Railing, the door latch should be installed on the pool side of the gate. The door must swing outward, away from the swimming pool.

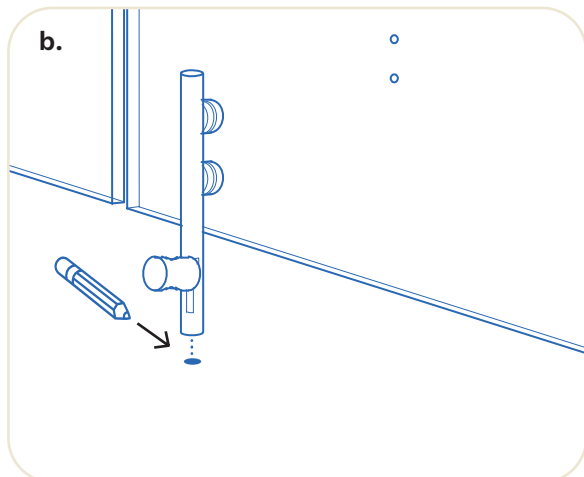


9 DOOR LOCK INSTALLATION

a. Install the door lock on the exterior (non pool) side using an Allen key as the diagram below.



b. Close the door in place and mark the location of the center of the lock's cylinder.



c. Drill a 5/8" diameter hole of 3/8" deep on the mark you have done in step b.

